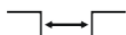




For seismic zone



Top mounted



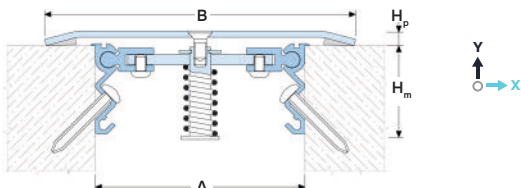
Joint width 50-500 mm



Movements in 3 directions



Indoor/outdoor



**DESIGNATIONS:**

A – nominal joint width;       $H_m$  – installation depth;  
 B – visible width;               $M_x$  – horizontal movements;  
 $H_p$  – profile height;             $M_y$  – vertical movements.

Profile	Cover type <sup>3</sup>	Sizes, mm				Movements <sup>2</sup> , mm		Permissible loads (kN)			
		A <sup>1</sup>	B <sup>2</sup>	$H_m$	$H_p$	$M_x$	$M_y$				
SV 34/50	AL / SS	50	70	45	8	50 (±25)	10 (±5)	pedestrian			
SV 34/75	AL / SS	75	120	45	8	80 (±40)	20 (±10)	pedestrian			
SV 34/100	AL / SS	100	150	45	8	100 (±50)	30 (±15)	pedestrian			
SV 34/150	AL / SS	150	200	45	8	150 (±75)	40 (±20)	pedestrian			
SV 34/200	SS	200	300	45	8	200 (±100)	50 (±25)	pedestrian			
SV 34/250	SS	250	375 <sup>2</sup>	45	8	250 (±125)	80 (±40)	pedestrian			
SV 34/300	SS	300	450 <sup>2</sup>	45	8	300 (±150)	100 (±50)	pedestrian			
SV 34/400	SS	400	600 <sup>2</sup>	45	8	400 (±200)	120 (±60)	pedestrian			
SV 34/500	SS	500	750 <sup>2</sup>	45	8	500 (±250)	150 (±75)	pedestrian			

<sup>1</sup> The profile can be made to any specific expansion joint width from 50 mm.

<sup>2</sup> Request additional data. The standard width is indicated when using a profile for seismic joints with the specified limits of movement. It is possible to reduce the width with smaller movements.

<sup>3</sup> The cover can be made in a choice of different materials. See "Material and Profile Designation"

**▶ TECHNICAL DATA**

**→ FRAME**

<b>Material</b>	Aluminum EN AW 6063 T6 (T66 <sup>6</sup> )
<b>Tolerances</b>	EN 12020-2:2008
<b>Strength, MPa</b>	$\sigma_b = 205$ (250 <sup>6</sup> )
<b>Length, m</b>	3,0
<b>Tooling</b>	Mounting holes
<b>Fasteners</b>	Included (Screws Rawlplug R-LX-5x50-CS)

**→ COVER**

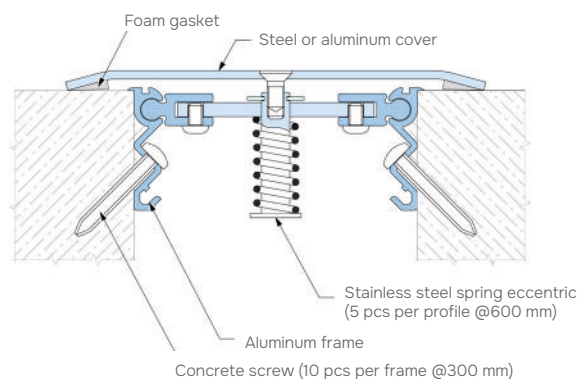
<b>Material</b>	AISI 304 <sup>4</sup> (1.4301)
<b>Profile designation<sup>4</sup></b>	SS304-XX (XX – steel surface <sup>5</sup> )
<b>Strength, MPa</b>	$\sigma_b = 515$
<b>Tolerances</b>	EN 1090-2
<b>Length, m</b>	3,0
<b>Tooling</b>	Mounting holes
<b><sup>5</sup>Surface coat</b>	Grind/brushed

<sup>4</sup> On request, the cover can be made of other types of stainless steel: AISI 316, 430 or others.

<sup>5</sup> Choose from the types of surface coat shown

<sup>6</sup> For EU market

**▶ EQUIPMENT PROFILE**



**▶ ALUMINUM TYPE**

